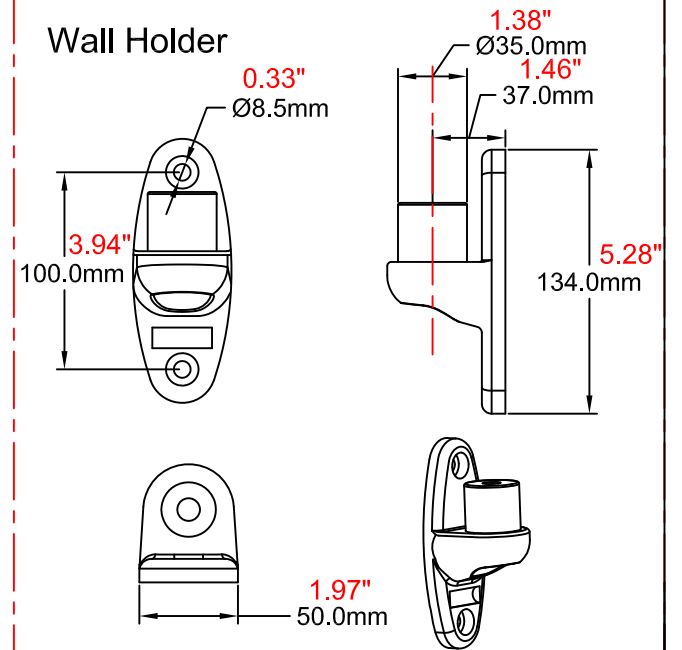


Wall Holder



ZILLA

2009 Zilla Technology Co.,Ltd.
All rights reserved.
Content is subject to change
without notification.

PRT.Name:		Rev: NR
DWG.NO: WEA-A580		Unit: mm/inch
Scale:	Thrid Angle Projecton	
Drawn BY: Tang 2015/08/24		Material:
Checked BY:		Thickness:
Approved BY:		S/Treatment: