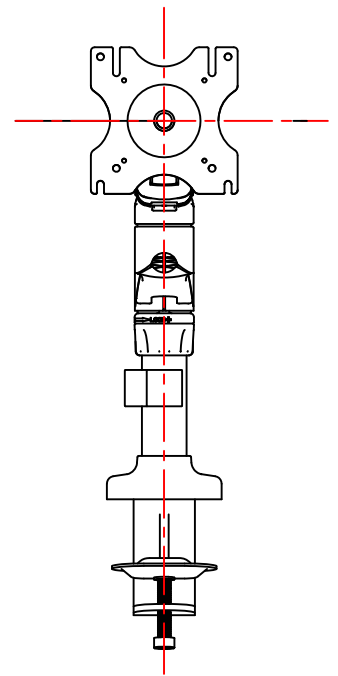
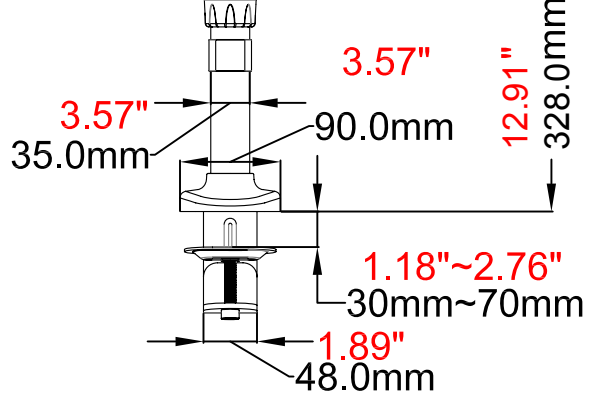
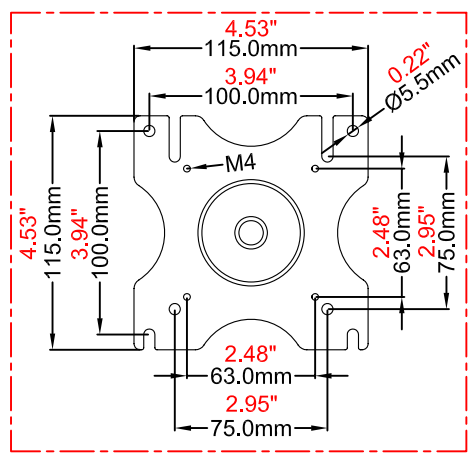
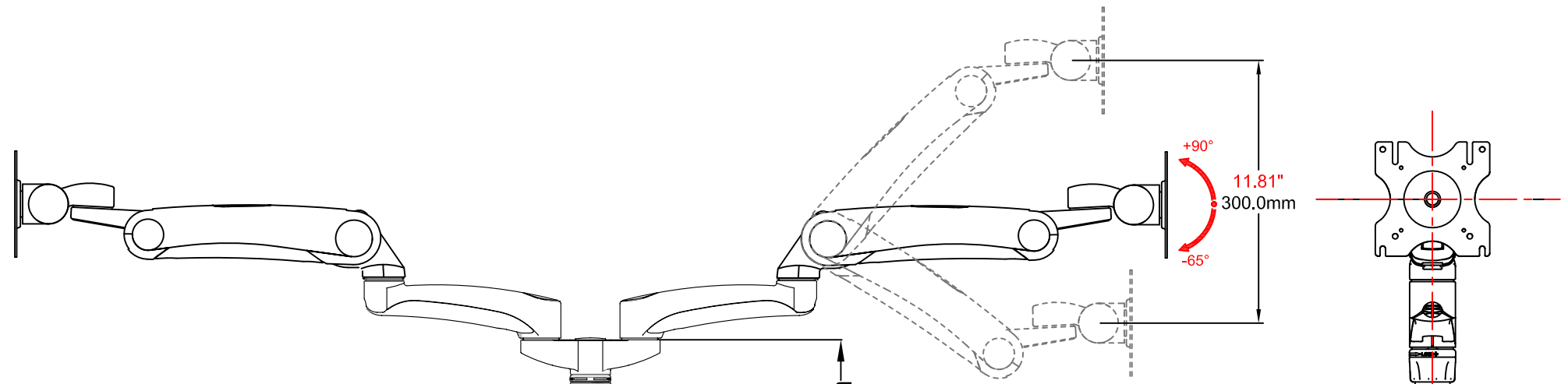
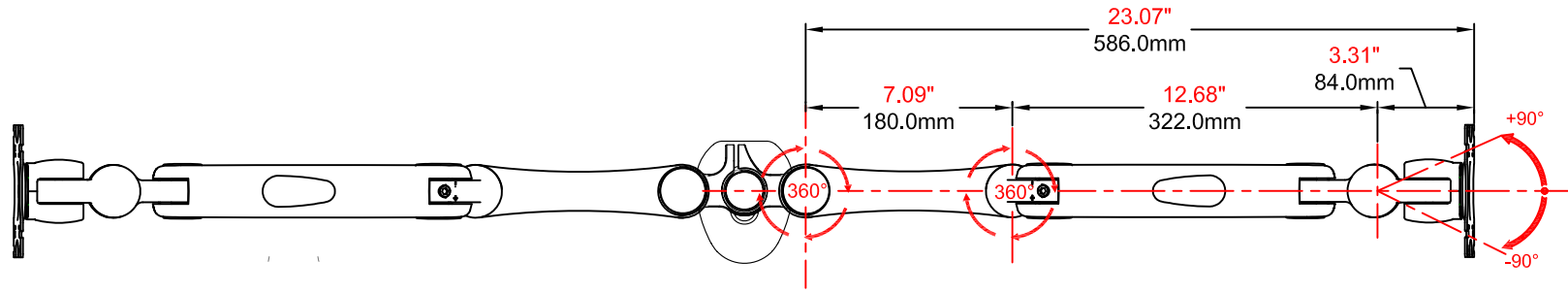


Tolerances: (MM)			
	0-(30)	±0.30	
	30-(120)	±0.40	
	120-(315)	±0.50	
	315-(1000)	±0.80	
	1000-(2000)	±1.20	
	2000 <	±1.80	
	Angle Tol.	±0.5°	
	H/Dis.	±0.30	
Rev.	Changing contents	Mender	Date



<b>ZILLA</b>	PRT.Name: 桌上型双节臂双屏工程图	Rev: NR
	DWG.NO: DC3-A680G-DEK	Unit: mm/inch
	Scale: Thrid Angle Projection	
	Drawn BY: Geng 2015/05/08	Material:
Checked BY:	Thickness:	
Approved BY:	S/Treatment:	

2009 Zilla Technology Co.,Ltd.  
All rights reserved.  
Content is subject to change  
without notification.