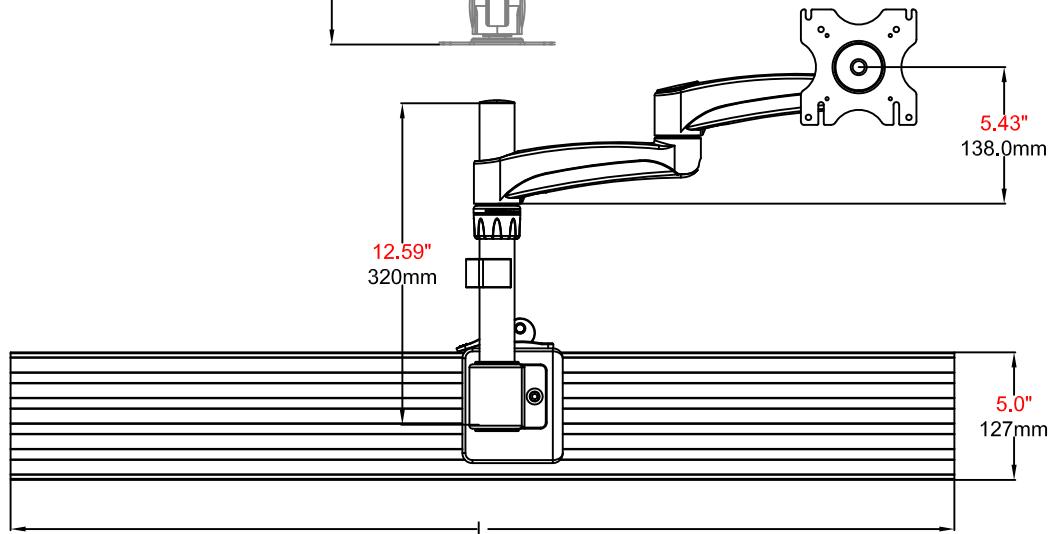
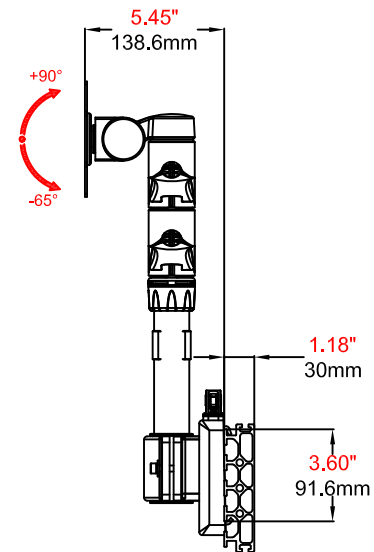
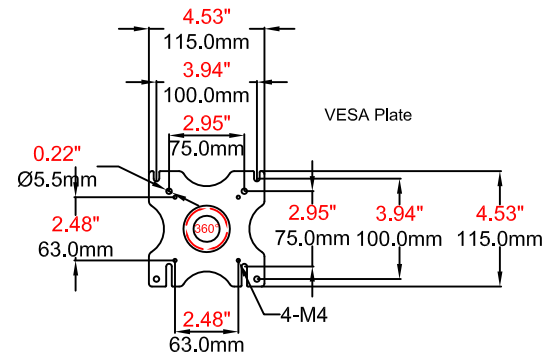


19.62"  
498.6mm



Tolerances: (MM)			
			0-(30) ±0.10
			30-(120) ±0.20
			120-(315) ±0.30
			315-(1000) ±0.40
			1000-(2000) ±0.60
			2000 < ±1.20
			Angle Tol. ±0.2°
			H/Dis. ±0.10
Rev.	Changing contents	Mender	Date



**ZILLA**

**2009 Zilla Technology Co.,Ltd.**  
All rights reserved.  
Content is subject to change  
without notification.

PRT.Name: 屏风卡延伸臂组合1		Rev:A
DWG.NO: VSW3-A580		Unit: mm/inch
Scale:	Thrid Angle Projecton	
Drawn BY: ZHANG 2019/04/08	Material:	
Checked BY:	Thickness:	
Approved BY:	S/Treatment:	