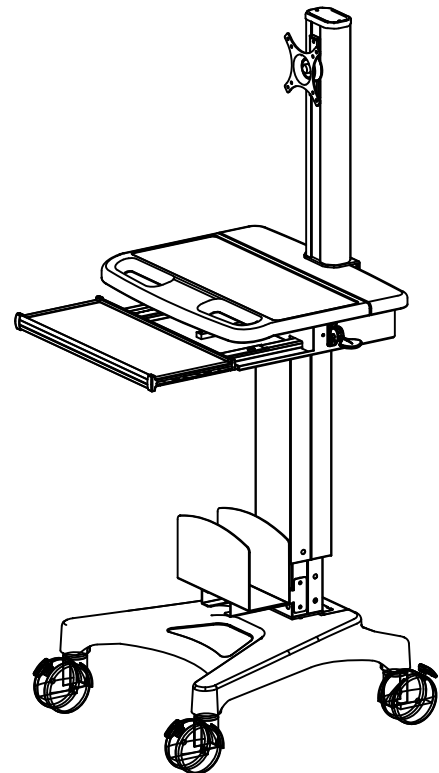
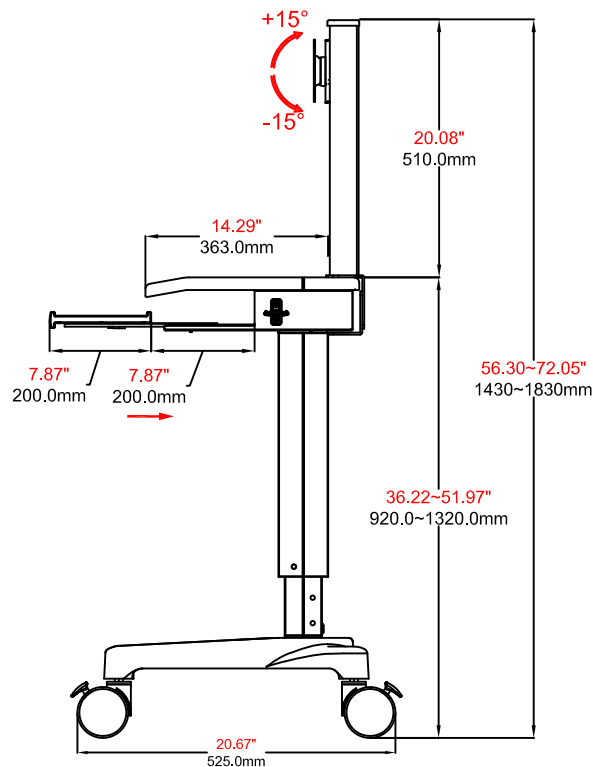
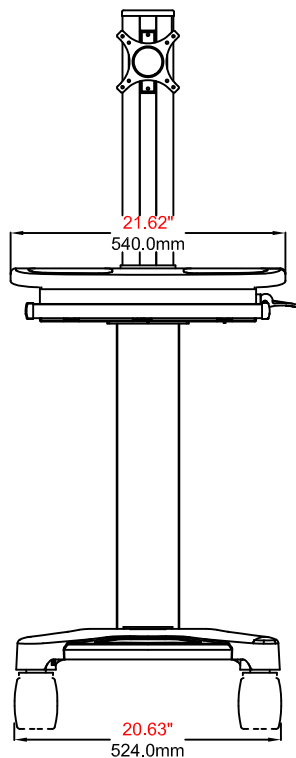


Tolerances: (MM)			
			0-(30) ±0.10
			30-(120) ±0.20
			120-(315) ±0.40
			315-(1000) ±0.50
			1000-(2000) ±1.20
			2000 < ±1.80
			Angle Tol. ±0.5°
			H/Dis. ±0.10
Rev.	Changing contents	Mender	Date



2009 Zilla Technology Co.,Ltd.
 All rights reserved.
 Content is subject to change
 without notification.

PRT.Name:		Rev: A
DWG.NO: MT505-S520		Unit: mm/Inch
Scale:	Thrid Angle Projecton	
Drawn BY: ZHANG 2019/05/14		Material:
Checked BY:		Thickness:
Approved BY		S/Treatment: