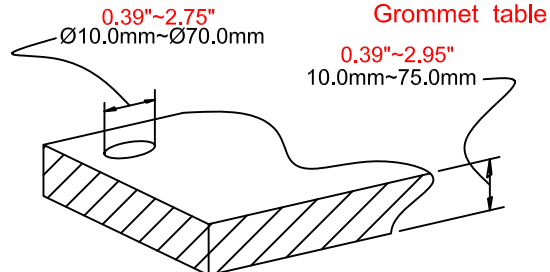
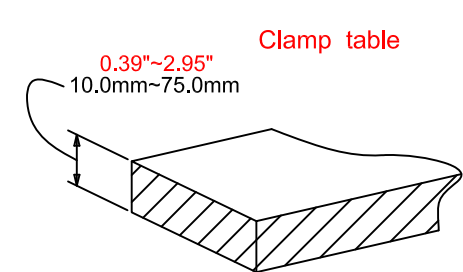
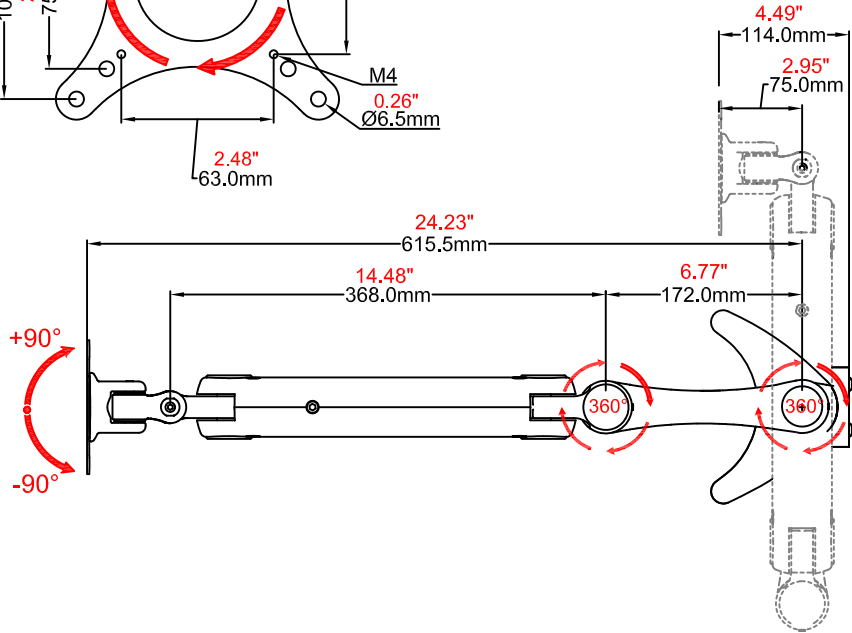
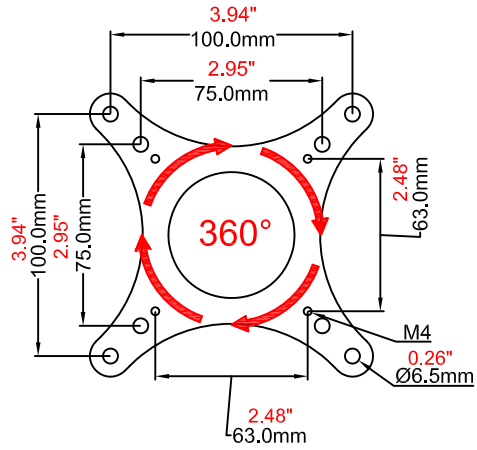
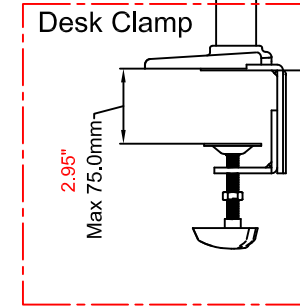
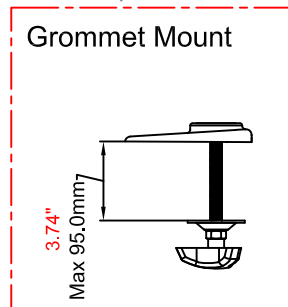
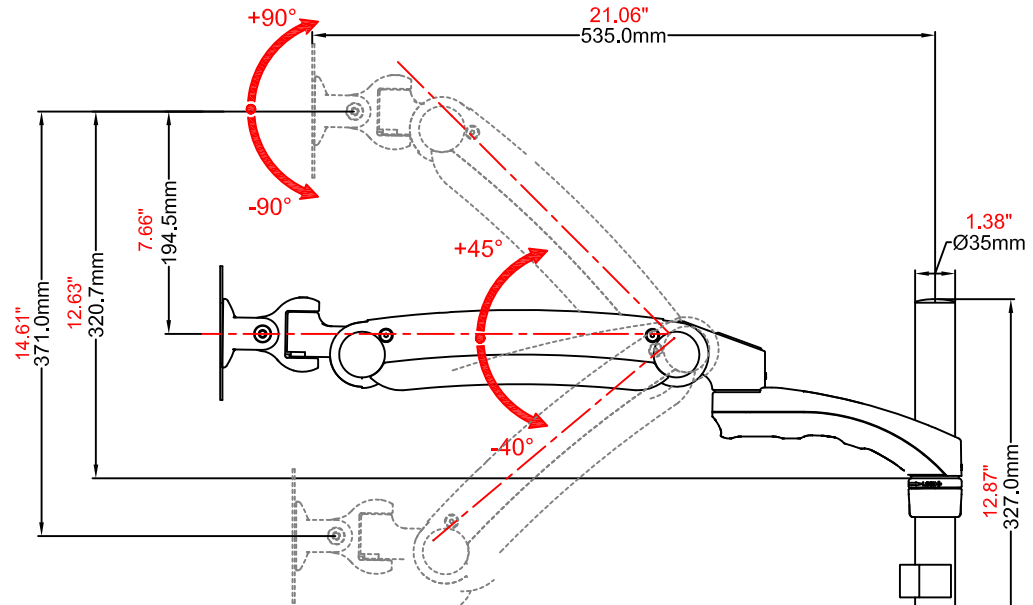


VESA Plate



				Tolerances: (MM)	
				0-(30)	±0.30
				30-(120)	±0.40
				120-(315)	±0.50
				315-(1000)	±0.80
				1000-(2000)	±1.20
				2000 <	±1.80
				Angle Tol.	±0.5°
				H/Dis.	±0.30
Rev.	Changing contents	Mender	Date		



ZILLA

2009 Zilla Technology Co.,Ltd.
All rights reserved.
Content is subject to change
without notification.

PRT.Name:		Rev: NR
DWG.NO: DMAG-ERG4018-E7		Unit: mm/inch
Scale:	Thrid Angle Projection	
Drawn BY: Tang 20112/2/12	Material:	
Checked BY: Zhang 2012/2/16	Thickness:	
Approved BY: Billai 2012/2/29	S/Treatment:	